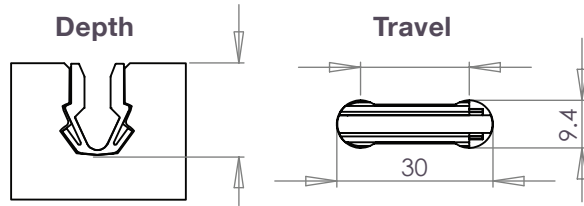
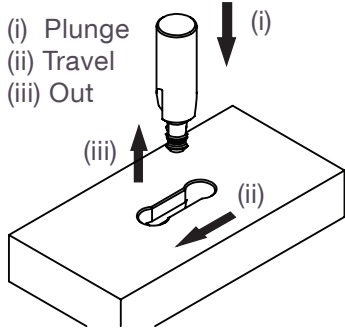


# V-1230

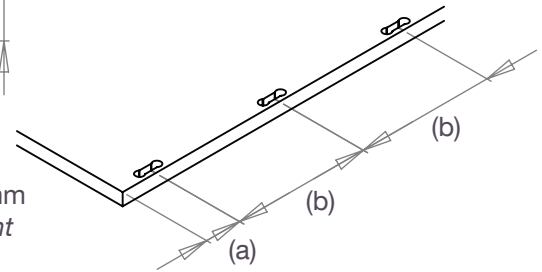
## Releasable Instructions

### 1. Milling



#### Recommended Spacing

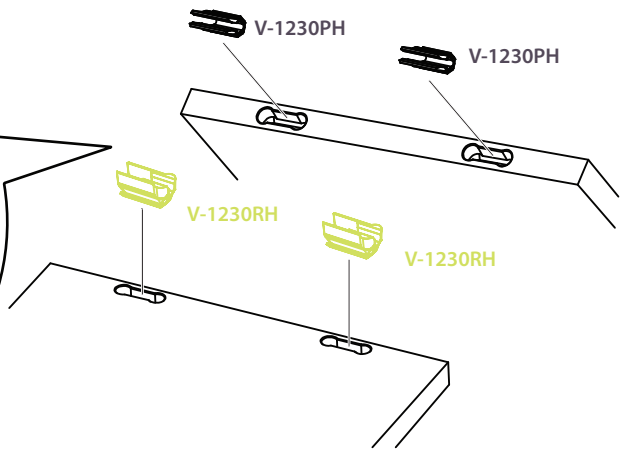
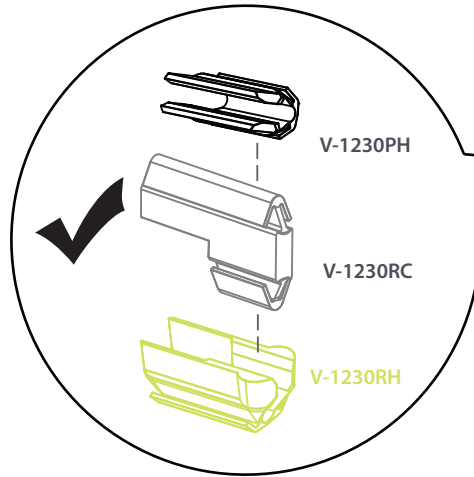
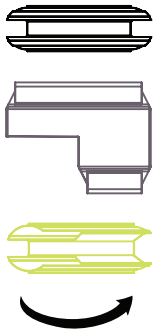
- (a): 35mm to 80mm
- (b): 100mm to 250mm



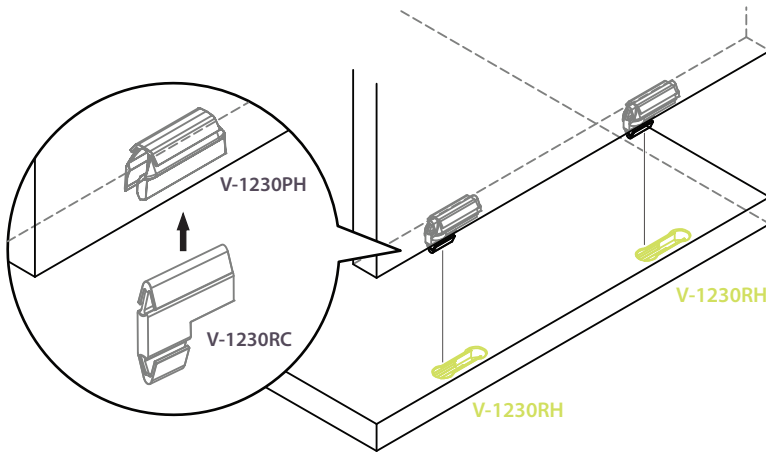
#### Recommended Settings

**Depth:** 12.7mm (min) - 13.3mm (max)  
**Travel Centre to Centre:** 20.5mm (min) - 20.7mm  
**Rotation Speed:** CNC speeds vary with different materials. Maximum cutter rotation: 18,000

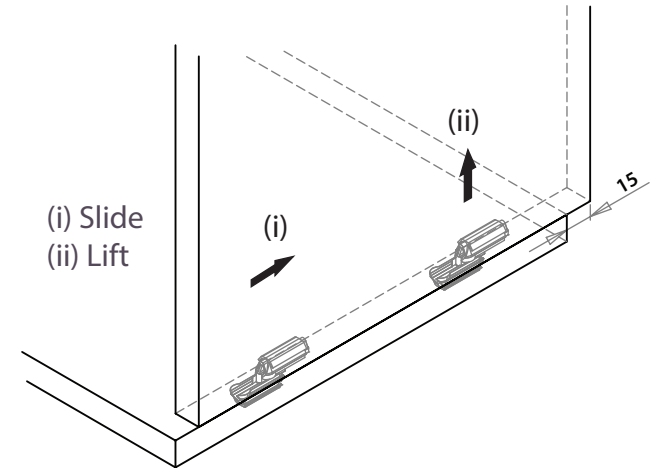
### 2. Housing



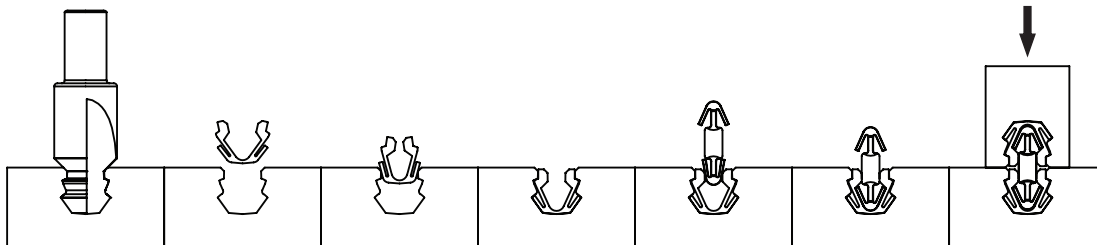
### 3. Assembly - Simply push or slide to connect



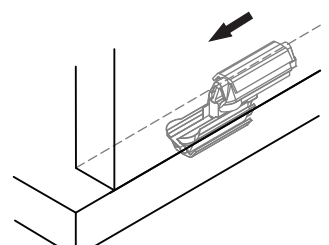
### 4. Release

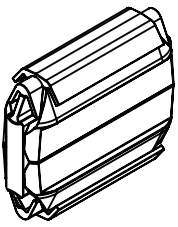


### How it works



### Simply push or slide to connect

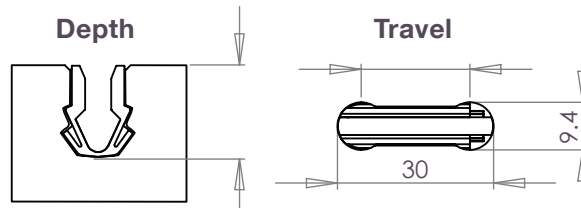
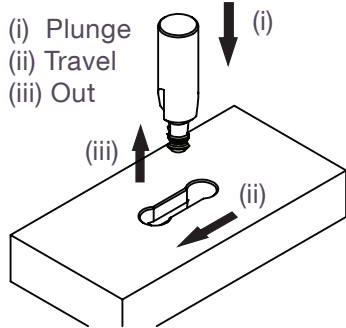




# V-1230

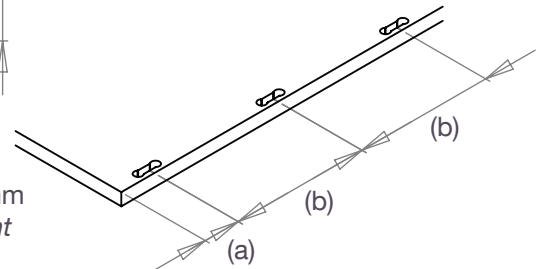
## Permanent Instructions

### 1. Milling



#### Recommended Spacing

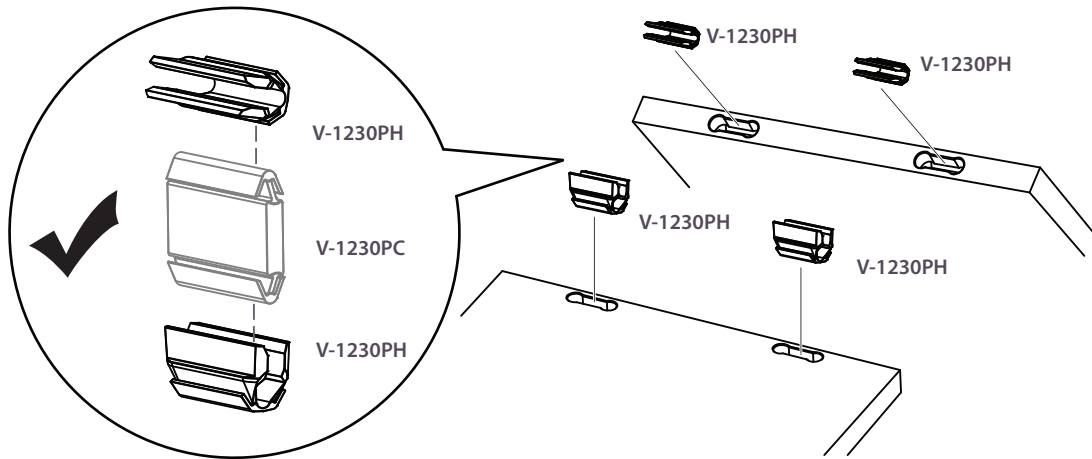
- (a): 35mm to 80mm
- (b): 150mm to 350mm



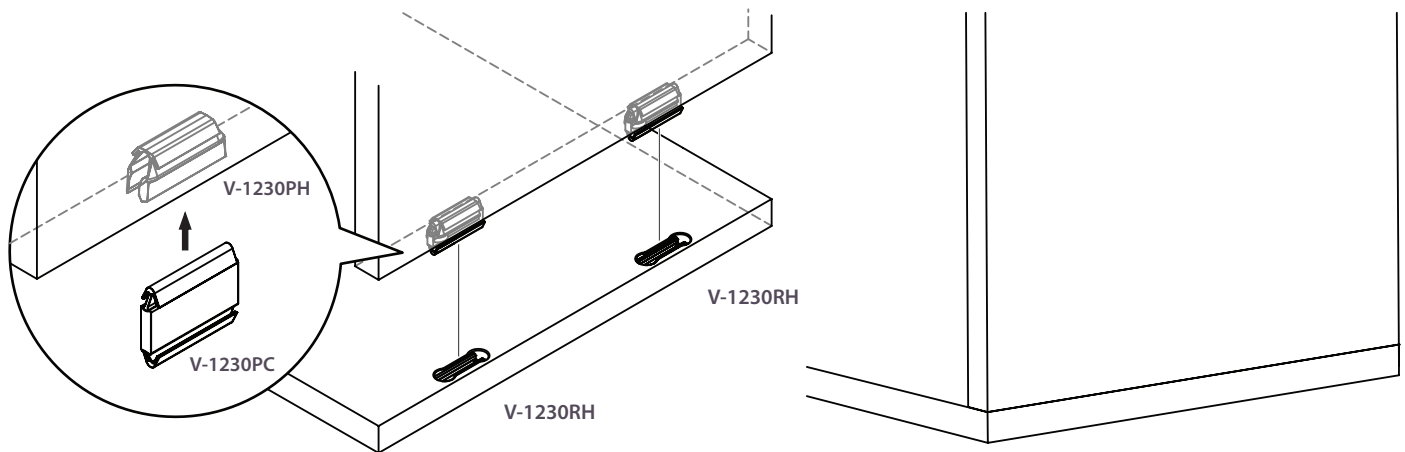
#### Recommended Settings

**Depth:** 12.7mm (min) - 13.3mm (max)  
**Travel Centre to Centre:** 20.5mm (min) - 20.7mm  
**Rotation Speed:** CNC speeds vary with different materials. Maximum cutter rotation: 18,000

### 2. Housing



### 3. Assembly - Simply push into place to connect



### How it works

