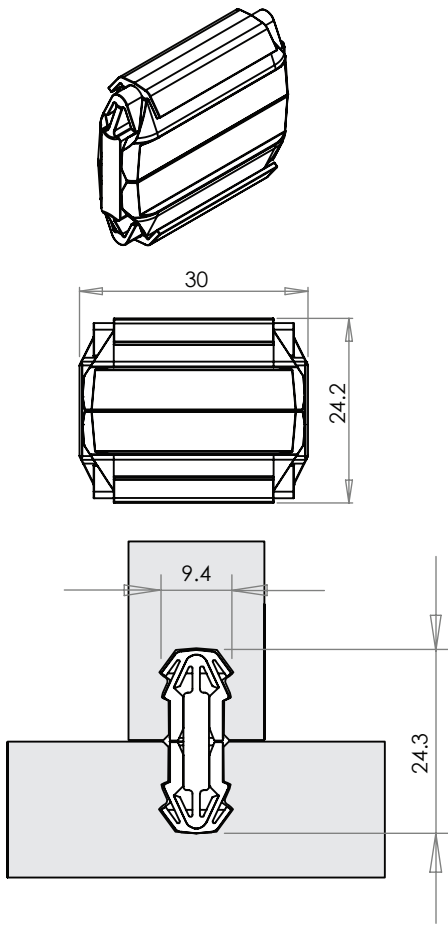


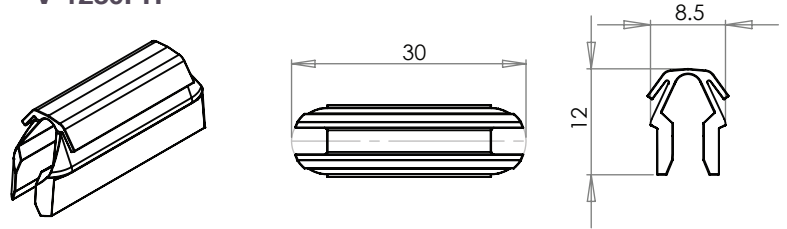
OVVO® V Connection System

V-1230 Permanent Specifications

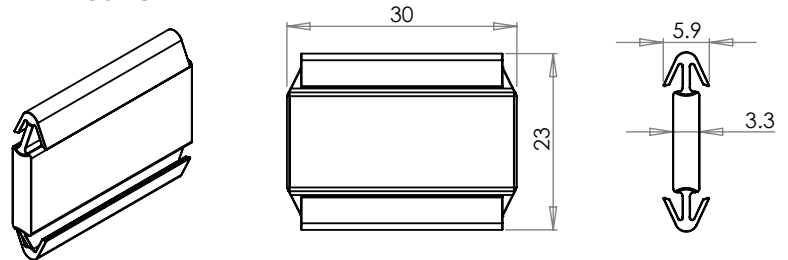
V-1230 Permanent



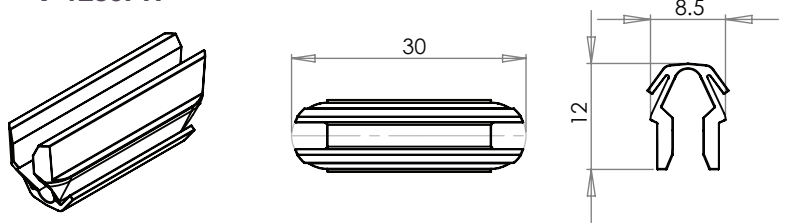
V-1230PH



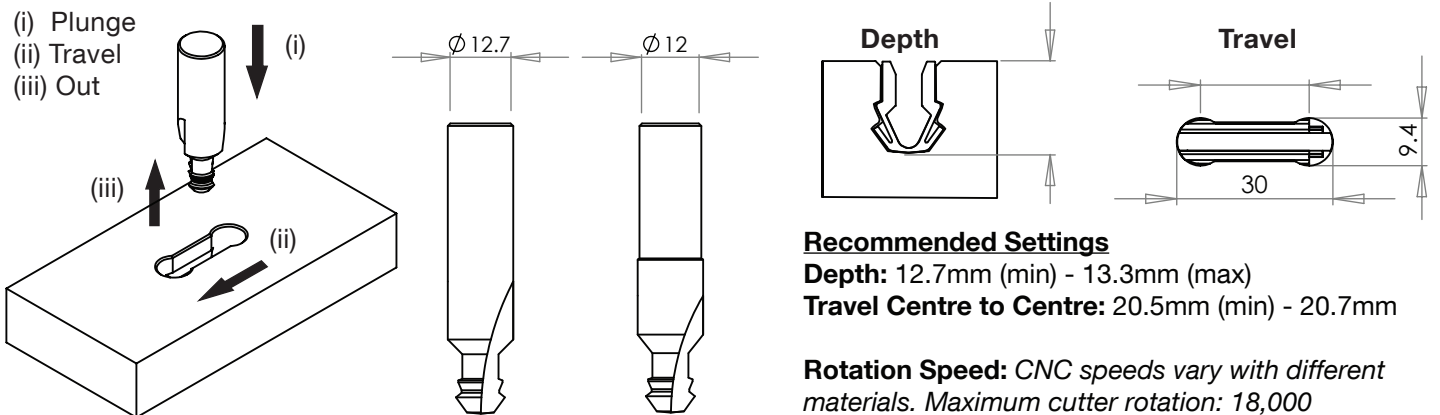
V-1230PC



V-1230PH



- (i) Plunge
- (ii) Travel
- (iii) Out



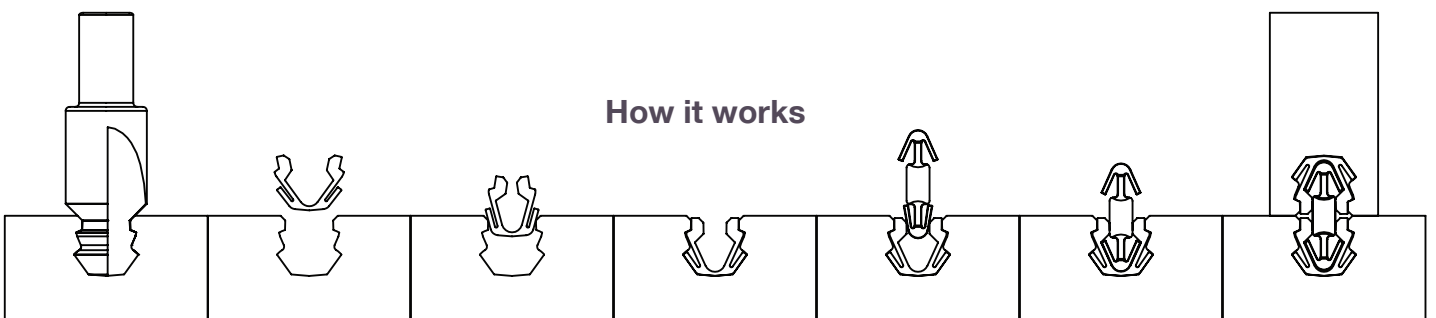
Recommended Settings

Depth: 12.7mm (min) - 13.3mm (max)

Travel Centre to Centre: 20.5mm (min) - 20.7mm

Rotation Speed: CNC speeds vary with different materials. Maximum cutter rotation: 18,000

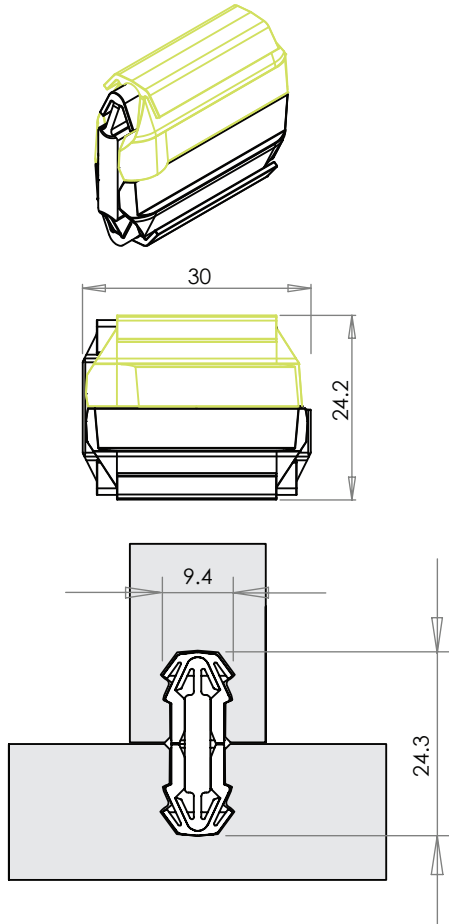
How it works



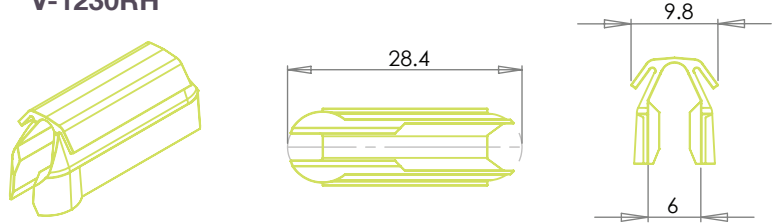
OVVO® V Connection System

V-1230 Releasable Specifications

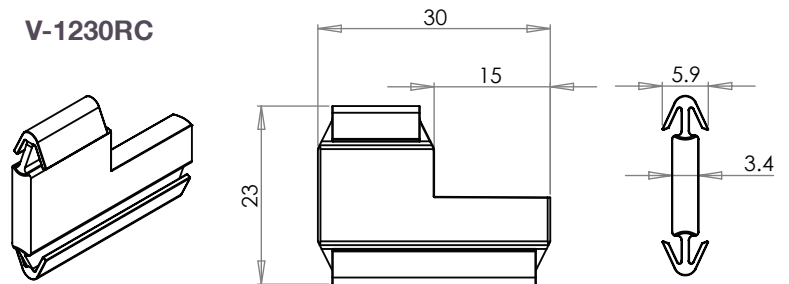
V-1230 Releasable



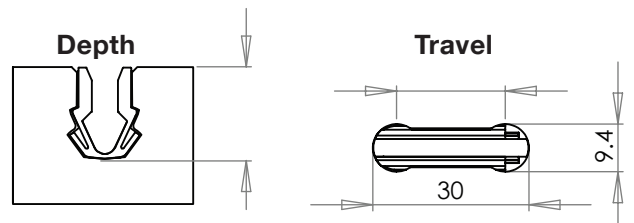
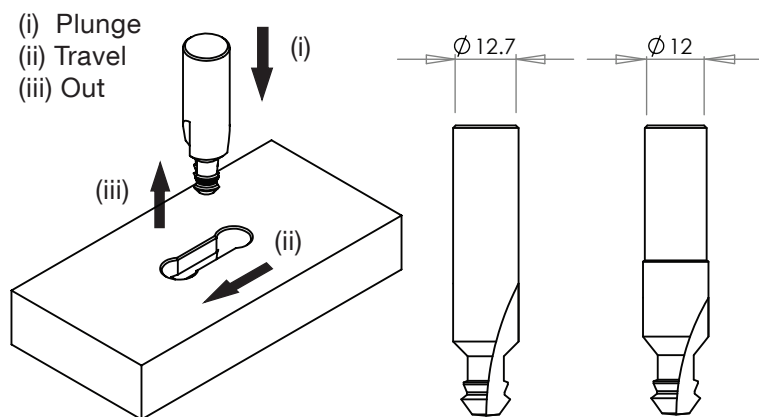
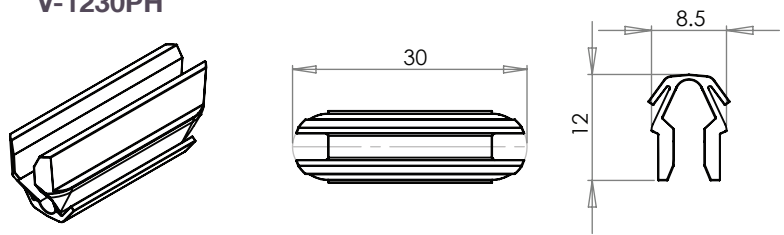
V-1230RH



V-1230RC



V-1230PH



Recommended Settings

Depth: 12.7mm (min) - 13.3mm (max)

Travel Centre to Centre: 20.5mm (min) - 20.7mm

Rotation Speed: CNC speeds vary with different materials. Maximum cutter rotation: 18,000

How it works

